

## Safety Precautions

- Read all safety precautions and installation instructions carefully before installing or servicing this fixture. Failure to comply with these instructions could result in potentially fatal electric shock and/or property damage.
- It is recommended that a qualified electrician perform all wiring. This fixture must be wired in accordance with all national and local electrical codes.
- Do not handle any energized fixture or attempt to energize any fixture with wet hands or while standing on a wet or damp surface or in water.
- D2 fixtures are designed for use in a 120-277V AC, 60Hz fused circuit and are compatible with 0-10 V dimmers. Make sure that the power source conforms to the requirements of the fixture. (See labels on fixture housing)
- To reduce the risk of electrical shock, and to assure proper operation, this fixture must be adequately grounded. To accomplish proper grounding, there must be a separate ground wire (green) contact between this fixture and the ground connection of your main power supply panel.
- This fixture is intended to be used for general indoor lighting in dry or damp locations.
- Disclaimer:  
Changes or modifications not expressly approved by the party responsible for compliance could void the user's authority to operate the equipment. NOTE: This equipment has been tested and found to comply with the limits for a Class B digital device, pursuant to Part 15 of the FCC Rules and Canadian ICES-005 (B) / NMB-005 (B). These limits are designed to provide reasonable protection against harmful interference in a residential installation. This equipment generates uses and can radiate radio frequency energy and, if not installed and used in accordance with the instructions, may cause harmful interference to radio communications. However, there is no guarantee that interference will not occur in a particular installation. If this equipment does cause harmful interference to radio or television reception, which can be determined by turning the equipment off and on, the user is encouraged to try to correct the interference by one or more of the following measures:
  - Reorient or relocate the receiver antenna.
  - Increase the separation between the equipment and receiver.
  - Connect the equipment into an outlet on a circuit different from that to which the receiver is connected.
  - Consult with the dealer or an experienced radio/TV technician for help.

Any modifications to this fixture may void the warranty and interfere with the safe operation of the luminaire.

Operation is subject to the following two conditions: (1) this device may not cause interference, and (2) this device must accept any interference, including interference that may cause undesired operation of the device.

## Assembly Instructions

### 1. Preparing for installation.

- Disconnect electrical power** before installing or servicing any part of this fixture.
- Remove all contents from packaging.
- Remove two screws (4) from each endplate (2).
- Remove wire way cover (6) from channel (7) by removing 2 screws (5).
- Remove the appropriate knockout(s) for power supply entry.
- Install junction box cover plate (8) to junction box (not included) with two #8 screws (9).

### 2. Fixture mounting.

- To locate, hold channel (7) up to the wall with power supply knockout located over entryway for power supply wires. Mark the locations of the mounting holes on the wall. Take the channel down and punch a small hole into the wall at each location using a nail or an awl to see if there is a wood joist. If there is a joist use a suitable wood screw (not included) to mount the channel. Where there is no joist to screw into use a toggle bolt (not included) of suitable length to mount channel securely to the wall. Install junction box cover plate (8) (supplied). **Proceed to step B before final mounting.**
- Feed the black, white, and green supply wires into the fixture through the open knockout hole. Channel can be securely installed to the wall once wires are inside.

### 3. Wiring.

**Caution:** Make sure power is off at fuse or circuit breaker box. Check power wires for damage or scrapes. If power supply wires are within three inches of driver use wire suitable for at least 90°C (194°F). **Note:** Most dwellings built before 1985 have supply wire rated to 60°C. Consult a qualified electrician before installing.

- This unit will not operate properly unless connected to a "grounded" electrical circuit. Electrical shock, overheating, low or no light output, and shortened lamp life can result if proper grounding is not done.
- Using wire connectors, connect white supply wire to white driver lead. Connect black hot supply wire to black driver lead. Connect ground supply wire to green ground wire. **Do not mix wires.** Pull on each wire to make sure connections are secure. Make certain no bare wires are exposed.
- The LED driver can be dimmed with 0-10V dimming controls. Locate low voltage dimming control wires (purple and grey) and make appropriate connections. For **Non-Dimming** applications, leave the dimming control wires, (purple and grey) capped.
- Connect the LED's to the driver by plugging the connector ends (11) together. Install wire way cover (6) by placing it over the channel and fastening with 2 screws (5).

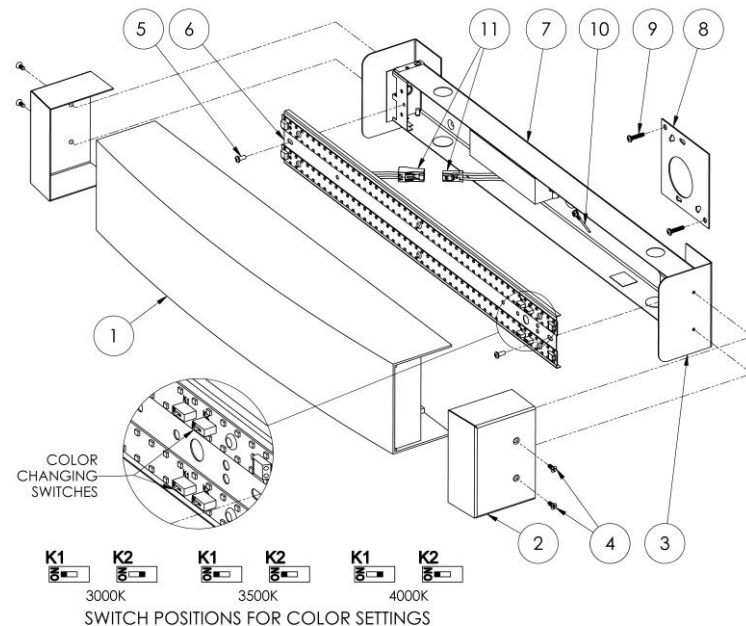
### 4. Color Changing Temperature Adjustment, CCT (if desired).

- Set the two switches on each LED strip for the desired color temperature as shown in the above illustration. **Note:** Fixture is preset to 3500K from factory.

### 5. Diffuser mounting.

- Slide diffuser (1) and end caps (2) over channel assembly. Align holes in end caps with holes in support bracket (3). Insert screws (4) and fasten, two per side.

### 6. Power to the fixture can now be restored.



### Limited Factory Warranty

AFX Inc. hereby warrants that this fixture is free from defects in materials and workmanship when installed and used under normal operating conditions for a period of 5 years from date of shipment from factory. This warranty covers all component parts and extends only to replacement of defective fixture or components; it does not cover failure due to improper installation, misuse, mishandling or damage incurred in transit.